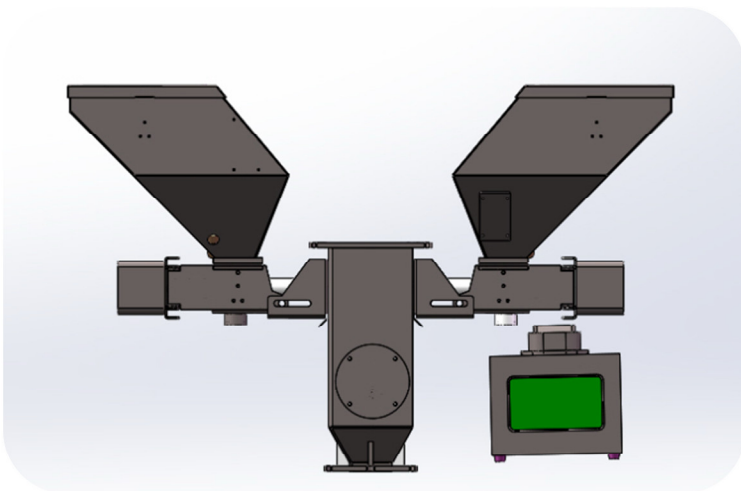


触摸屏微电脑智能型色母混合机

触摸屏微电脑智能型色母混合机

Touch screen - Smart color masterbatch machine



性能特点:

- 1: 高分辨率7寸触摸屏，操作界面简洁清晰
- 2: 采用微电脑式控制计算，快速准确
- 3: 使用精密步进电机，无需保养；
- 4: 搅拌电机可以灵活设置
- 5: 数据永久记忆及存储功能，可查询修改
- 6: 加工产品名称存储功能，直接调用色母数据组号，使用更加方便快捷
- 7: 可同时满足外部信号输入的要求，内部特殊调理电路可去除外界干扰，使机器运行更加平稳
- 8: 色母缺料报警模块的增加使得使用更加方便
- 9: 螺杆采用镀铬处理，经久耐用
- 10: 模组式的装配结构，拆装方便，易于清理及互换
- 11: 双色母和单色母可以按需求配置
- 12: 可选购安全光栅，实现无人值守报警

Product Features:

- 1: High resolution 7-inch color touch screen, the operation interface is simple and clear.
- 2: Use microcomputer control and calculation, fastly and accurately.
- 3: Use precision stepping motor, don't need to maintain.
- 4: Stirring motor can be set up flexibly.
- 5: The data permanent memory and storage function, can be referred and modified.
- 6: Processing product name storage function, can use the master data group number directly, the application is more convenient and fast.
- 7: It can also meet the requirements of external signal input, internal special conditioning circuit can remove external interference, can make the machine run more smoothly.
- 8: Shortage of color masterbatch alarm function, can make the use more convenient.
- 9: The screw is chromium plated, that is more durable.
- 10: Modular assembly structure, easy to install, disassemble, clean and exchange;
- 11: Double color masterbatch and single color masterbatch, that can be selected according to requirements.
- 12: Can purchase safety raster optionally, can realize the unattended alarm.

产品信息:

- 微电脑精密控制，优于同类产品的PLC控制
- 使用精密步进电机，无需保养
- 模组式装配结构
- 色母缺料报警装置
- 人性化操作界面设计

Product information:

- Microcomputer precision control system
- Use precision stepping motor
- Modular assembly structure
- Shortage alarm device
- Humanized operation interface design

技术参数

Technical Data

规格型号 Models	单色母机 SINGLE						双色母机 DOUBLE		
	FP-30-16	FP-30-14	FP-30-12	FP-100-16	FP-100-14	FP-100-12	FP-D-30/30	FP-D-30/100	FP-D-30/120
马达功率 (KW) Motor Power	0.06	0.06	0.06	0.06	0.06	0.06	0.06*2	0.06*2	0.06*2
马达转速 (r.p.m) REV	0-3000	0-3000	0-3000	0-3000	0-3000	0-3000	0-3000	0-3000	0-3000
搅拌机功率 (KW) Mixer Power	0.09	0.09	0.09	0.09	0.09	0.09	0.09	0.09	0.09
螺杆外径 (mm) Screw External Dia	16	14	12	16	14	12	**	**	**
输出量 (kg/hr) Output Capacity	1.1-32	1.1-20	0.3-10	0.5-15	0.2-8	0.1-4	**	**	**
储料桶 (L) Storage Bin	10	10	10	10	10	10	10	10	10
减速比 Gear Ratio	30:1	30:1	30:1	30:1	100:1	100:1	30:1/100:1	30:1/100:1	30:1/100:1
主原料门 Main Material Hopper	选配 Optional	选配 Optional	选配 Optional	选配 Optional	选配 Optional	选配 Optional	选配 Optional	选配 Optional	选配 Optional
搅拌机 Mixer	选配 Optional	选配 Optional	选配 Optional	选配 Optional	选配 Optional	选配 Optional	选配 Optional	选配 Optional	选配 Optional
脚架 Floor Stands	选配 Optional	选配 Optional	选配 Optional	选配 Optional	选配 Optional	选配 Optional	选配 Optional	选配 Optional	选配 Optional
外形尺寸 Dimensions									
H (mm)	580	580	580	580	580	580	580	580	580
W (mm)	530	530	530	530	530	530	900	900	900
D (mm)	290	290	290	290	290	290	290	290	290
净重 (kg) Weight	29	29	29	29	29	29	50	50	50

计量式色母混合机

说明:

- 1: 以上资料中的 “*” 表示: 依客户所选机型决定输出量的大小, 可参考单色母机资料
- 2: 以上资料中的 “**” 表示: 螺杆外径依客户选型而定
- 3: 单色机加装搅拌机, 机型后面加注 “MS”
- 4: 以上机型输出量是以比重为1.2, 直径为2-3mm的色母颗粒以连续运转方式为测试标准所得的数据
- 5: 机器电压规格为: 220V,50Hz

Addition:

- 1: In the above table, the “*” means: the output capacity is determined according to the model selected by the customer, can refer to the single machine informations.
- 2: In the above table, the “**” means: the screw diameter is determined according to the model selected by the customer.
- 3: The single machine increase mixer, the model noted “MS” .
- 4: For the above model output, that the data obtained from the continuous operation model, on the test standard for the masterbatch particles with specific gravity 1.2 and diameter of 2-3mm.
- 5: The machine voltage specification is: 220V,50Hz.

*** 技术参数如有更改, 恕不另行通知

*** Subject to the change without notice.

- 气体检测仪
- 色母机，色油机
- 粘度计
- 高温料位计
- UV能量计
- 水质检测仪，采样器
- 干燥箱，培养箱
- 进样瓶
- 电路开发，仪器设计
- 空气过滤器
- 安全光栅

上海梵普仪器有限公司
SHANGHAI FBOINSTRUMENTS CO., LTD.

服务热线: 1363 6628 368

www.fbochina.com.cn